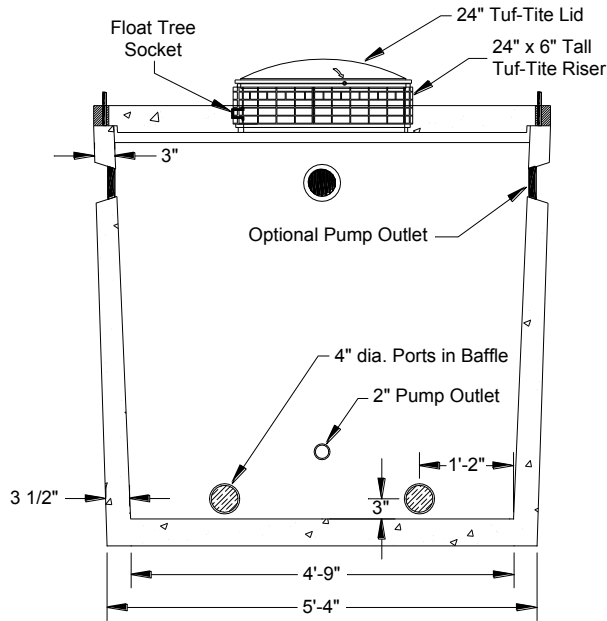
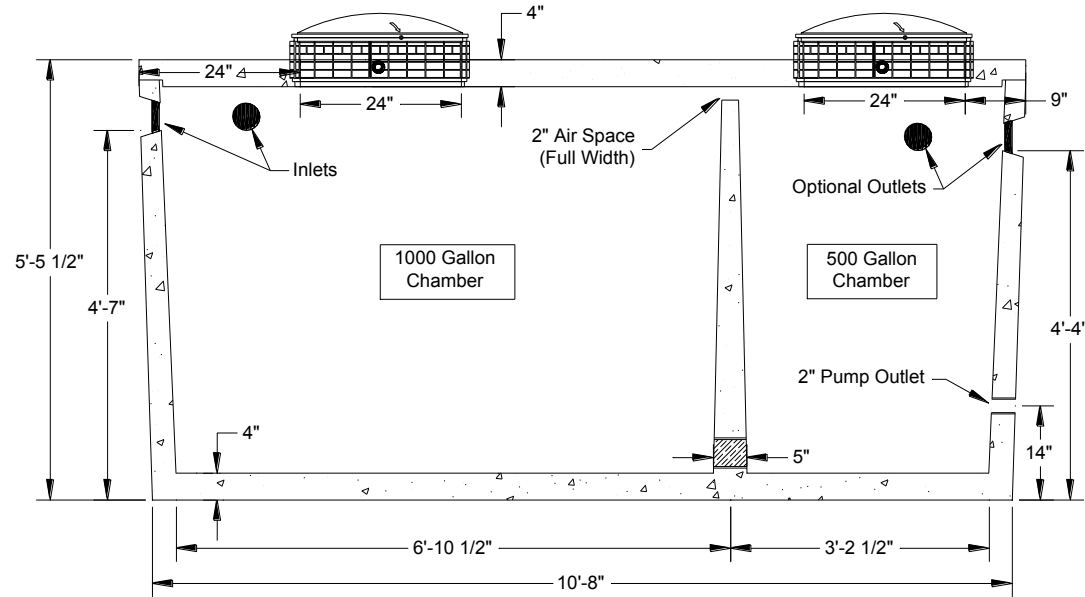


## End View



## Cross Section



## SPECIFICATIONS

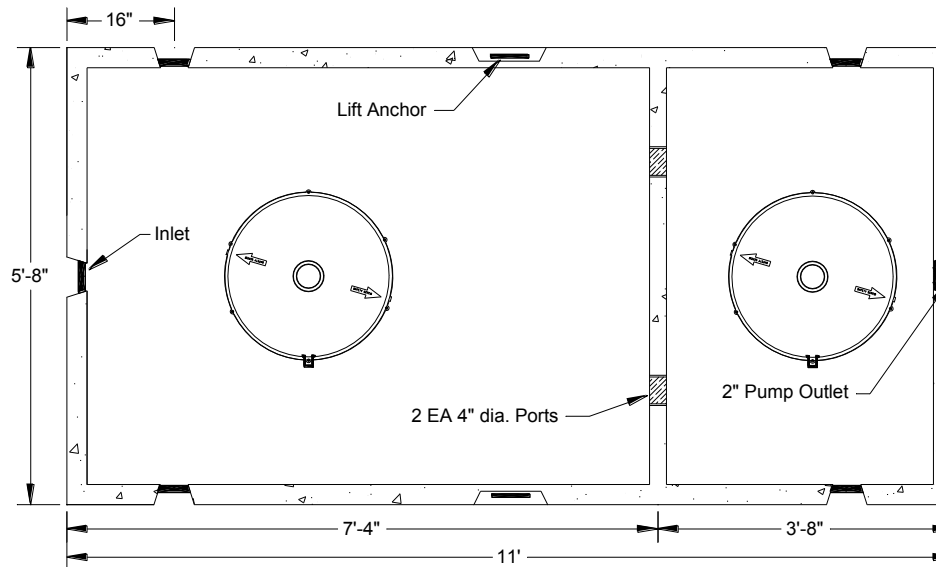
**Tank:** Manufactured per Montana Circular DEQ-4 Chapter 7 design standards for septic tanks, 4" dia. Pipe seals for inlet pipe penetrations, 1 EA 2" Sch40 PVC coupler cast in tank wall for pump outlet, 2 EA 24" dia. x 6" Tuf-Tite access risers cast into tank lid, 2 EA 4" dia. liquid transfer holes in baffle wall.

**Standard Components:** 2 EA 24" Tuf-Tite lid, 12 EA SS screws, 3 Rolls of ConSeal CS-102 butyl rubber sealant to seal tank lid.

**NOTE 1):** Tank will be delivered to the jobsite without the lid sealed. Lid shall be installed in the field by Others.

**NOTE 2):** Tank must be installed per Billings Precast's 'Tank Installation Guide' or warranty will be VOID.

**NOTE 3):** Tank shall not be placed in a traffic area (ie. parking lot, driveway, etc.) - Warranty will be VOID if driven on.



## Top View

**WEIGHTS:** Tank - 10,300 lb.; Lid - 2750 lb. [ Total Assembled = 13,050 lb. ]



**BILLINGS PRECAST**  
 CONCRETE RESULTS FOR HARD WORKING PEOPLE

5815 Interstate Avenue, Billings, Montana 59101  
 PH (406) 656-6098 FAX (406) 656-4942  
 www.billingsprecast.com

DWG. NO. **SDCE155**

**ELIMINITE 120C**

**1000 / 500 Gallon Combination Tank**

SCALE: NONE

DATE: 7-18-12

REV: A

DRN: WDB