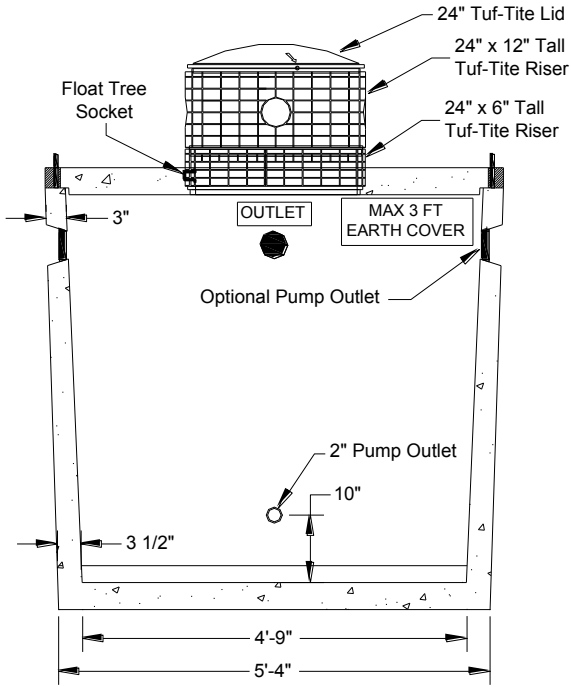
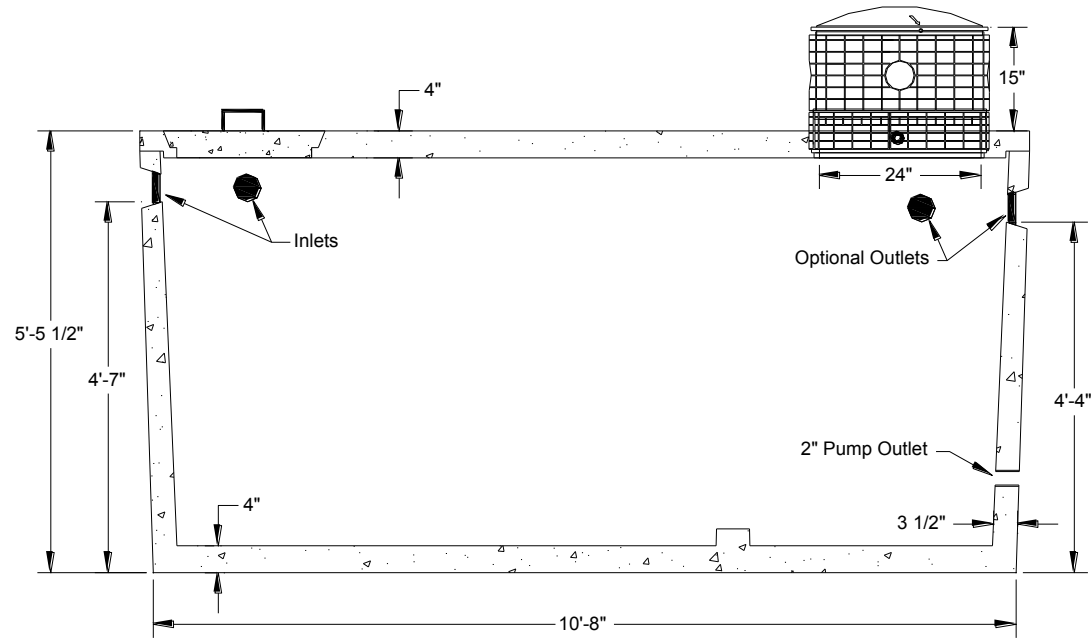


End View



Cross Section



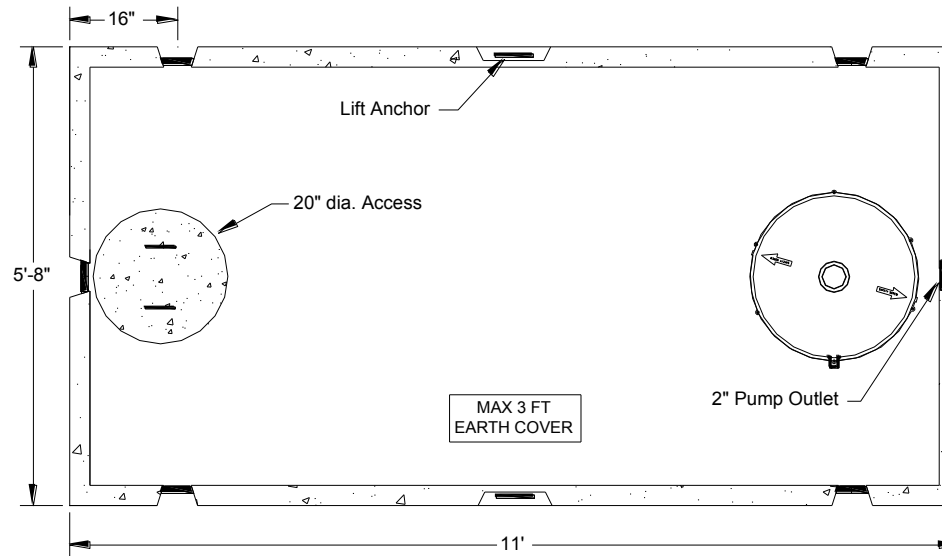
SPECIFICATIONS

Tank: Manufactured per 2013 Montana Circular DEQ-4 Chapter 5 design standards for septic tanks, Tuf-Tite TS-4Pro pipe seals cast in for inlet and outlet pipe penetrations, 1" PVC float tree socket, 1 EA 24" dia. x 6" tall Tuf-Tite access riser cast into tank lid, 1 EA 2" Sch40 PVC coupler cast in tank wall for pump outlet.

Standard Components: 1 EA 24" dia. x 12" tall Tuf-Tite access riser extension, 1 EA 24" Tuf-Tite lid, SS screws, ConSeal CS-102 1" butyl rubber sealant to seal tank lid.

NOTE 1): Tank must be installed per Billings Precast's 'Tank Installation Guide' or warranty will be VOID.

NOTE 2): Tank shall not be placed in a traffic area (ie. parking lot, driveway, etc.) - Warranty will be VOID if driven on.



Top View

WEIGHTS: Tank - 9300lb.; Lid - 2950 lb. [Total Assembled = 12,250 lb.]

5815 Interstate Avenue
Billings, Montana 59101
PHONE (406) 656-6098
FAX LINE (406) 656-4942
billingsprecast.com



DT15S

1500 Gallon Dosing Tank
- Single Piece Tank -

DWG. NO.

SCALE: NONE

DATE: 2-6-14

REV: A
DRN: WDB