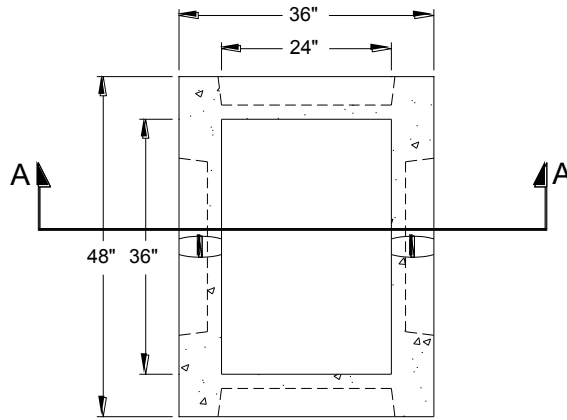


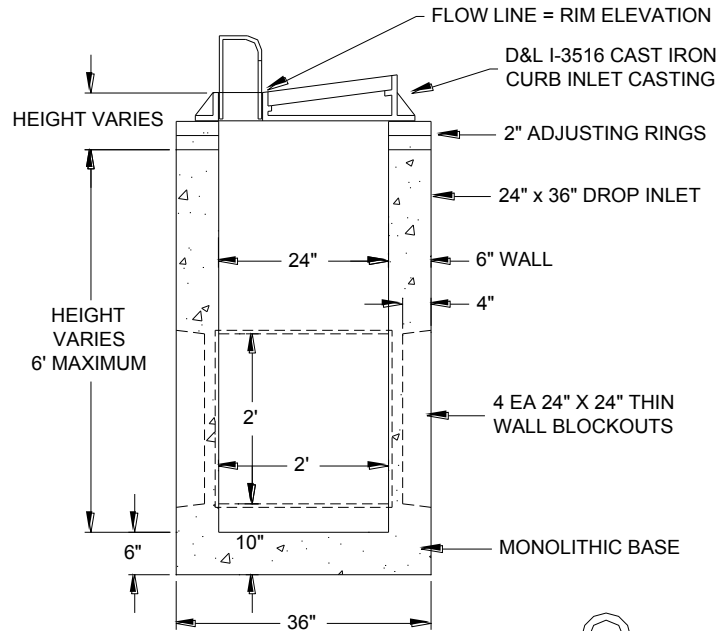
CURB CASTING

-Use D&L I-3517 for Type III Inlet.
 -D&L I-3518 and I-3519 castings are available for high flow areas.

PLAN VIEW



CROSS SECTION A-A



SPECIFICATIONS

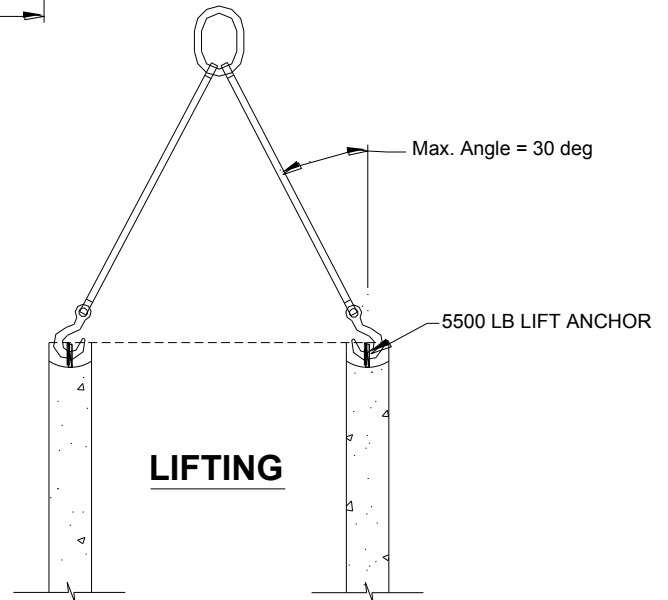
Structural: M-4000 concrete with a design strength of 4000 PSI minimum at 28 days. Portland Type V (sulfate resistant) cement and 3/4 inch aggregate, 2 EA CONAC 5CA14 lift anchors.

Reinforcement: #4 Grade 60 rebar @ 12" O.C.E.W. (max.) or wire mesh equivalent.

Casting: Cast iron frame, grate and hood is manufactured from grey iron conforming to ASTM A-48, Class 35B. Meets H-20 wheel loading.

Miscellaneous: 4 EA 24" x 24" x 4" thin wall blackout panels. Knock-out desired location(s) in the field and grout pipe(s) as required.

**Meets City of Billings standard specification Sm_M02720-1a.*



SCALE: NONE

DATE: 12-19-13

REV: DR'N: WDB

DWG. NO.

DI2436BO-CI

24" x 36" Drop Inlet with Blockouts
 Type II Curb Inlet with D&L I-3516 Casting



5815 Interstate Avenue
 Billings, Montana 59101
 PHONE (406) 656-6098
 FAX LINE (406) 656-4942
 billingsprecast.com