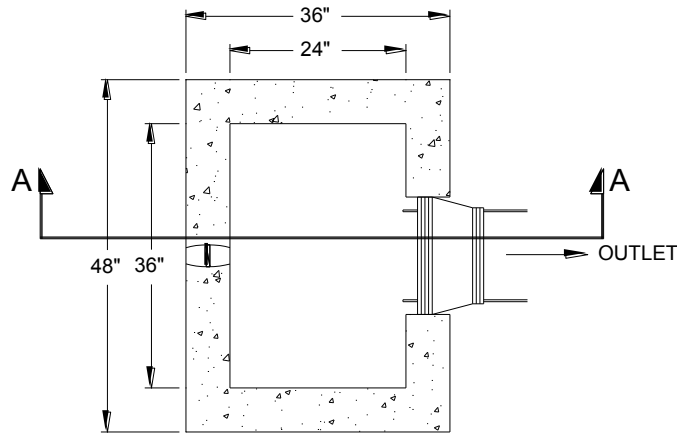
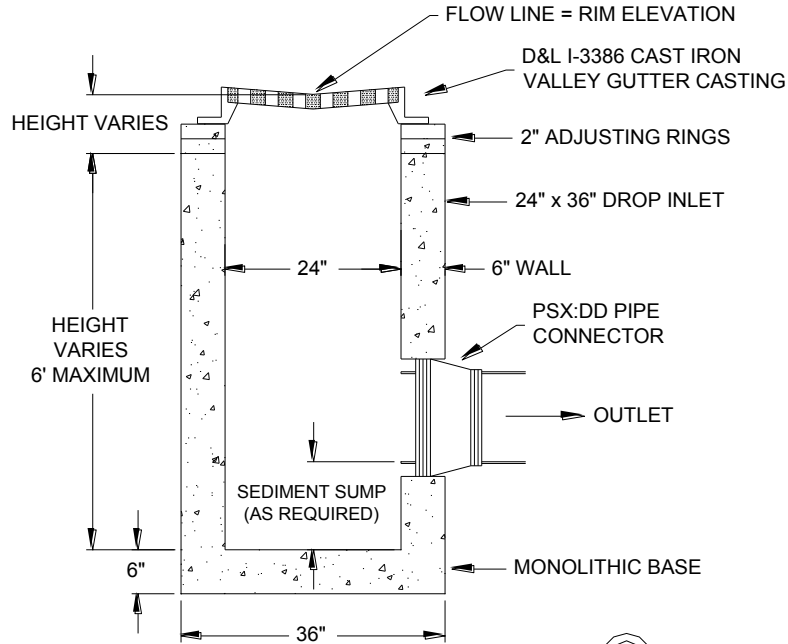


PLAN VIEW



D&L I-3386 CASTING
 -Type "A" grate is standard.
 -Type "L" or "VANE" grate is available for directional flow.

CROSS SECTION A-A



SPECIFICATIONS

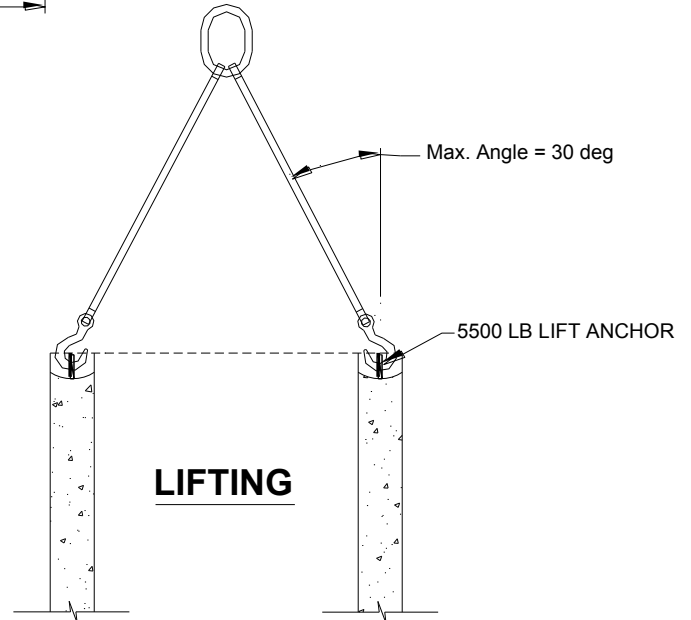
Structural: M-4000 concrete with a design strength of 4000 PSI minimum at 28 days. Portland Type V (sulfate resistant) cement and 3/4 inch aggregate, 2 EA CONAC 5CA14 lift anchors.

Reinforcement: #4 Grade 60 rebar @ 12" O.C.E.W. (max.) or wire mesh equivalent.

Casting: Cast iron frame and grate is manufactured from grey iron conforming to ASTM A-48, Class 35B. Meets H-20 wheel loading.

Rubber Boots: PSX:Direct Drive flexible manhole connectors meet and/or exceed all requirements of ASTM C-293. Series 304 stainless steel expansion sleeve and pipe take-up clamps.

NOTE: Boots can only be installed if pipe enters catch basin at 90 deg to flat wall, otherwise blockouts will be provided (field grout).



SCALE: NONE

DATE: 12-3-13

REV: DR'N: WDB

DWG. NO.

DI2436-VGI

24" x 36" Drop Inlet
 Valley Gutter Inlet with D&L I-3386 Casting



5815 Interstate Avenue
 Billings, Montana 59101
 PHONE (406) 656-6098
 FAX LINE (406) 656-4942
 billingsprecast.com