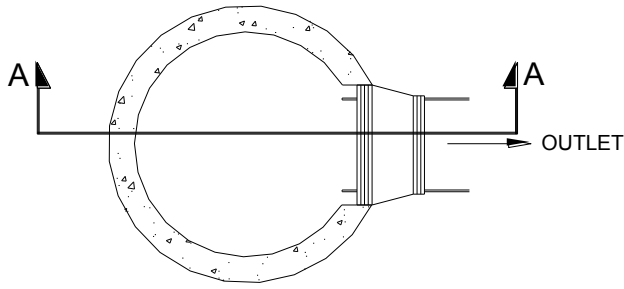
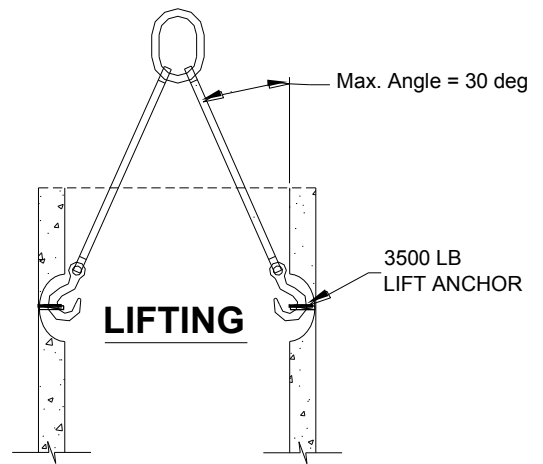
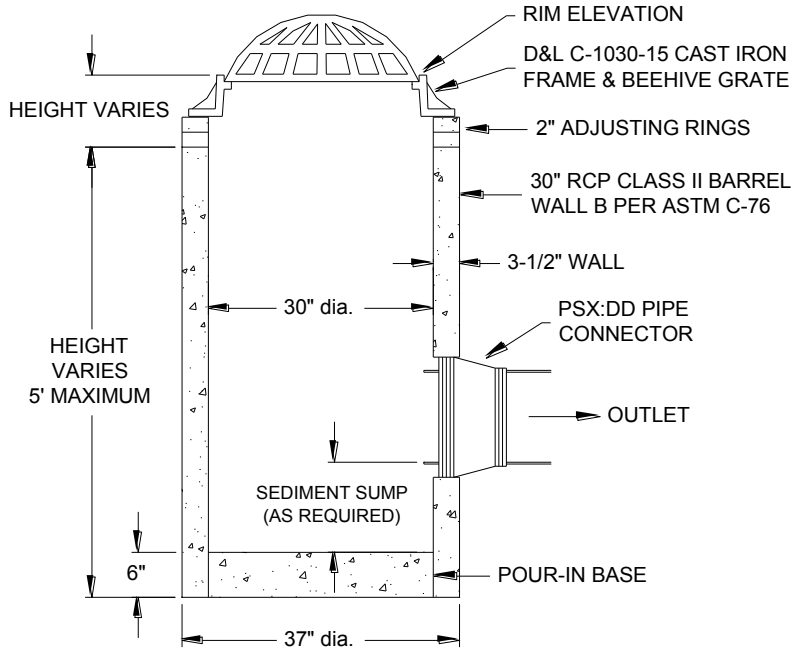


PLAN VIEW



CROSS SECTION A-A



SPECIFICATIONS

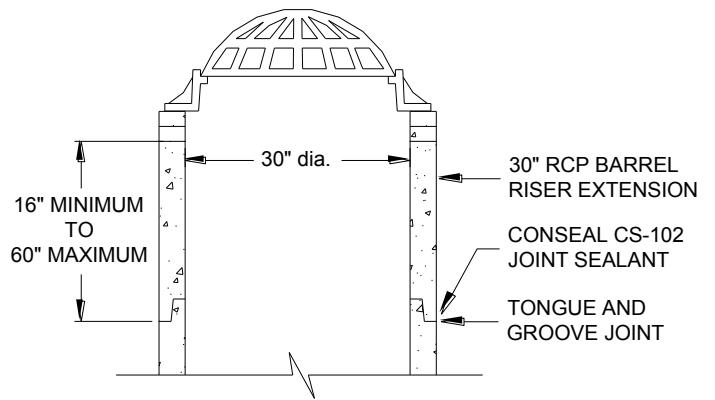
Structural: RCP Class II, Wall B per ASTM C-76, M-4000 concrete with a design strength of 4000 PSI minimum at 28 days. Portland Type V (sulfate resistant) cement and 3/4 inch aggregate, 2 EA CONAC 4CA14 lift anchors.

Casting: Cast iron frame and grate is manufactured from grey iron conforming to ASTM A-48, Class 35B.

Rubber Boots: PSX:Direct Drive flexible manhole connectors meet and/or exceed all requirements of ASTM C-293. Series 304 stainless steel expansion sleeve and pipe take-up clamps.

NOTE: Boots can only be provided if pipe size is 13.30" OD or smaller, otherwise blockouts will be provided (field grout). Grout lift anchor pockets as needed to ensure watertight seal.

**Meets City of Billings standard specification Sm_M02720-2.*



RISER EXTENSION DETAIL

SCALE: NONE

DATE: 12-6-13

REV: DR'N: WDB

DWG. NO.

CB30-BHI

30" Diameter Beehive Inlet
Type IV Beehive Inlet with D&L C-1030 Casting



5815 Interstate Avenue
Billings, Montana 59101
PHONE (406) 656-6098
FAX LINE (406) 656-4942
billingsprecast.com