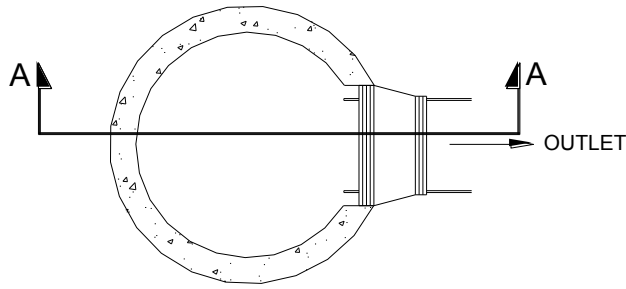
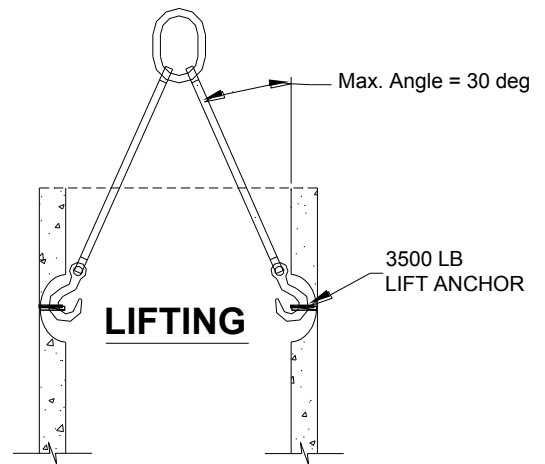
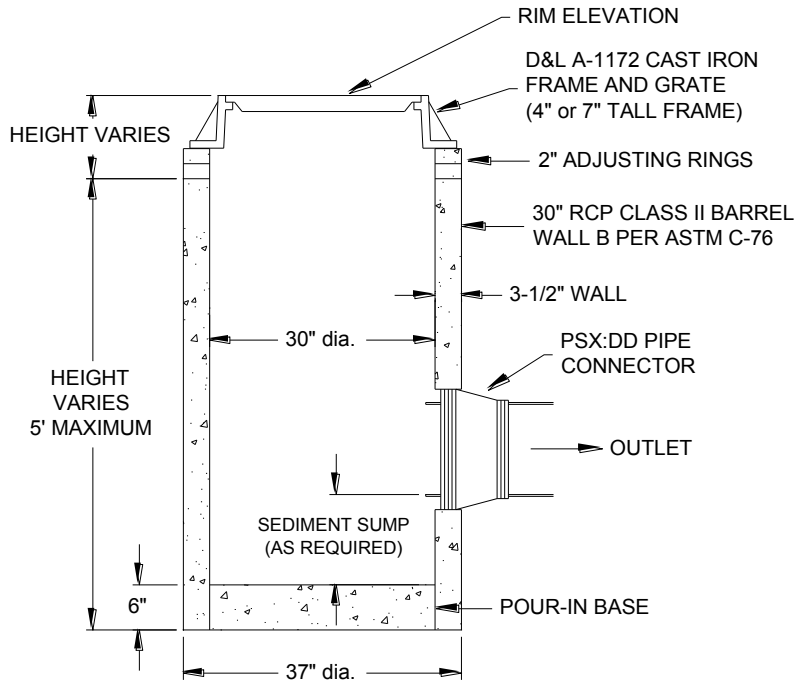


**PLAN VIEW**



**CROSS SECTION A-A**



**SPECIFICATIONS**

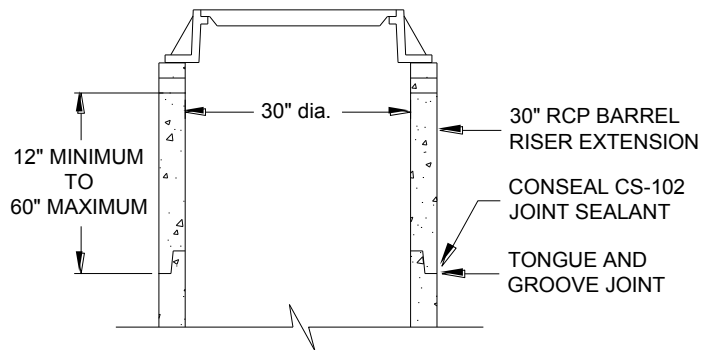
**Structural:** RCP Class II, Wall B per ASTM C-76, M-4000 concrete with a design strength of 4000 PSI minimum at 28 days. Portland Type V (sulfate resistant) cement and 3/4 inch aggregate, 2 EA CONAC 4CA14 lift anchors.

**Casting:** Cast iron frame and grate is manufactured from grey iron conforming to ASTM A-48, Class 35B. Meets H-20 wheel loading.

**Rubber Boots:** PSX:Direct Drive flexible manhole connectors meet and/or exceed all requirements of ASTM C-293. Series 304 stainless steel expansion sleeve and pipe take-up clamps.

**NOTE:** Boots can only be provided if pipe size is 13.30" OD or smaller, otherwise blockouts will be provided (field grout). Grout lift anchor pockets as needed to ensure watertight seal.

*\*Meets City of Billings standard specification Sm\_M02720-2.*



**RISER EXTENSION DETAIL**

SCALE: NONE

DATE: 12-6-13

REV: DR'N: WDB

DWG. NO.

**CB30-AI**

30" Diameter Area Inlet  
Type IV Area Inlet with D&L A-1172 Casting



5815 Interstate Avenue  
Billings, Montana 59101  
PHONE (406) 656-6098  
FAX LINE (406) 656-4942  
billingsprecast.com