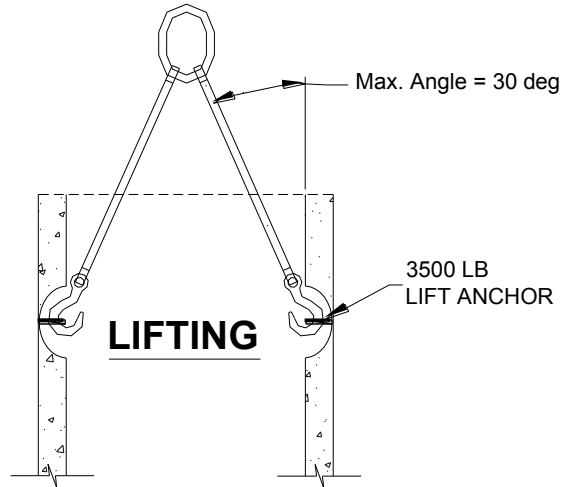
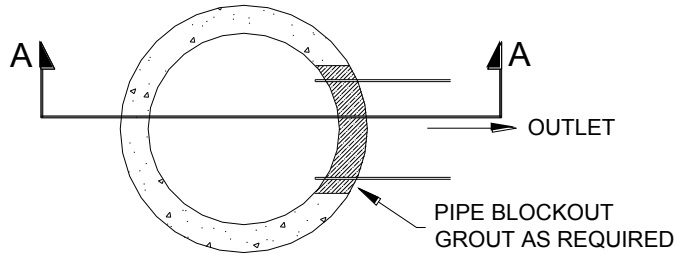
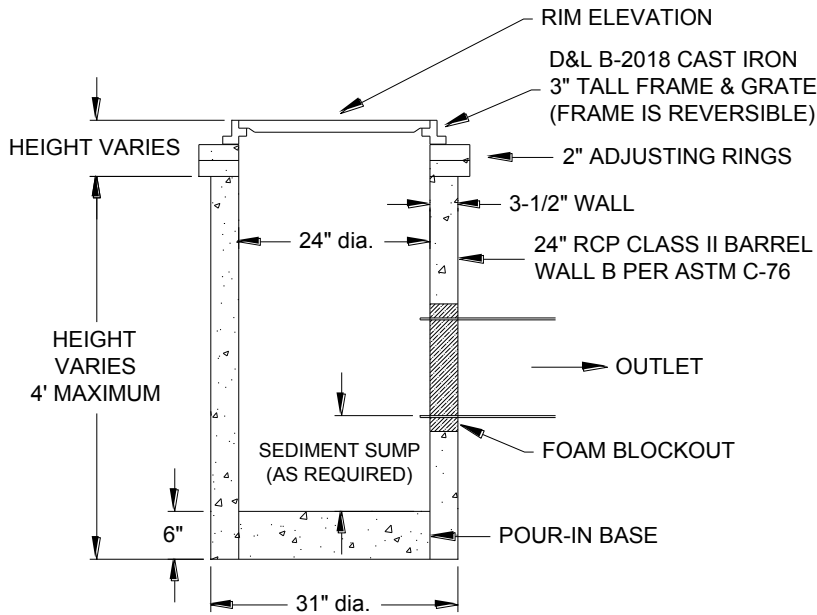


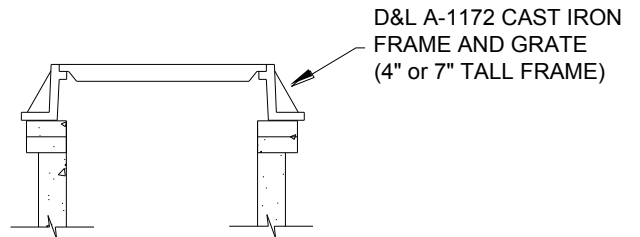
**PLAN VIEW**



**CROSS SECTION A-A**



**ALTERNATE CASTING**



**SPECIFICATIONS**

**Structural:** RCP Class II, Wall B per ASTM C-76, M-4000 concrete with a design strength of 4000 PSI minimum at 28 days. Portland Type V (sulfate resistant) cement and 3/4 inch aggregate, 2 EA CONAC 4CA14 lift anchors.

**Casting:** Cast iron frame and grate is manufactured from grey iron conforming to ASTM A-48, Class 35B. Meets H-20 wheel loading.

**Pipe Penetrations:** Foam or formed blockouts are available for pipe penetrations - seal with grout as required.

**NOTE:** Rubber boot pipe connectors are not available for this size catch basin. Grout lift anchor pockets as needed to ensure watertight seal.

SCALE: NONE

DATE: 12-9-13

REV: DR'N: WDB

DWG. NO.

**CB24-AI**

24" Diameter Area Inlet  
Type IV Area Inlet with D&L B-2018 Casting



5815 Interstate Avenue  
Billings, Montana 59101  
PHONE (406) 656-6098  
FAX LINE (406) 656-4942  
billingsprecast.com