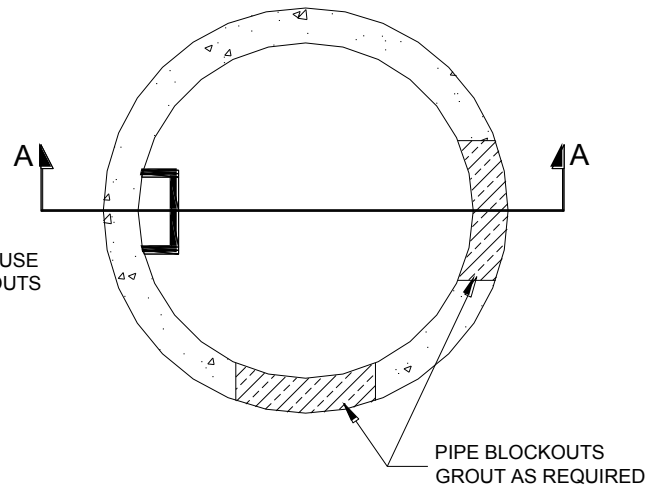
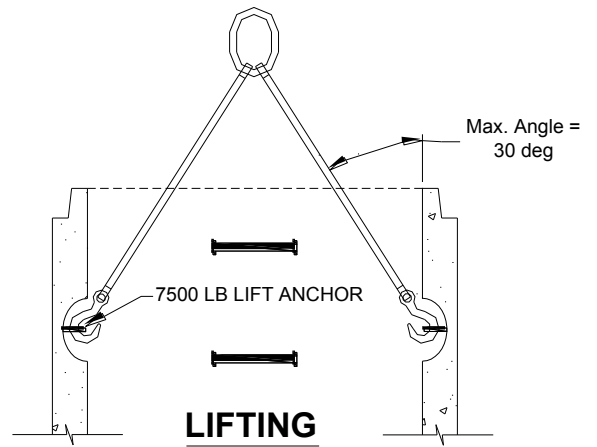


CROSS SECTION A-A



PLAN VIEW

SIZE (IN.)	WEIGHT (LBS. / VF)	BASE SLAB (IN.)	"T" (IN.)	"K" (IN.)
60"	1311	78" dia. X 8"	6"	7"
72"	1832	92" dia. X 8"	7"	8"

SPECIFICATIONS

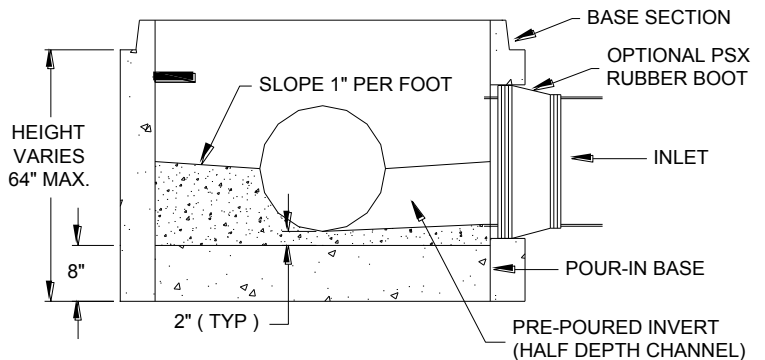
Concrete: M-4000 concrete with a design strength of 4000 PSI minimum at 28 days. Portland Type V (sulfate resistant) cement and 3/4 inch aggregate.

Reinforcement: Structural reinforcement conforming to ASTM C-478.

Casting: Cast iron frame and cover is manufactured from grey iron conforming to ASTM A-48, Class 35B. Meets H-20 wheel loading.

Miscellaneous: 2 EA (60") or 3 EA (72") CONAC 6CA18 lift anchors.

NOTE: Rubber boots are available in lieu of blockouts. Pour-in type monolithic base available in lieu of precast base slab. Pre-poured invert channels are available for 6" thru 30" pipe sizes.



* STANDARD PRE-POURED INVERT CHANNELS HAVE A TYPICAL .1' FALL FROM INVERT IN TO INVERT OUT.

OPTIONAL MONOLITHIC BASE AND INVERT

SCALE: NONE	
DATE: 12-17-13	
REV:	DR'N: WDB

DWG. NO. **BPMH60SD & BPMH72SD**

60" & 72" dia. Storm Drain Manhole
Standard Base Slab and Flat-Top Lid

5815 Interstate Avenue
Billings, Montana 59101
PHONE (406) 656-6098
FAX LINE (406) 656-4942
billingsprecast.com