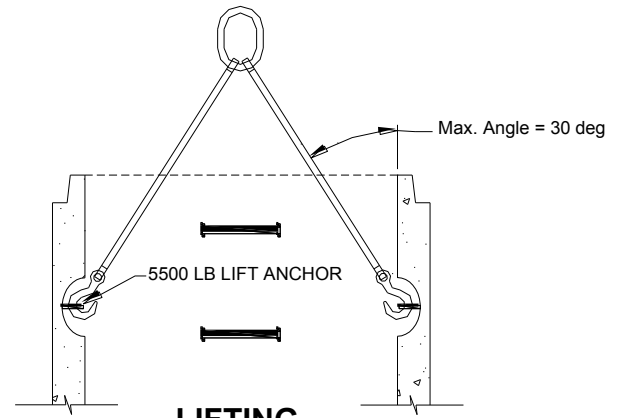
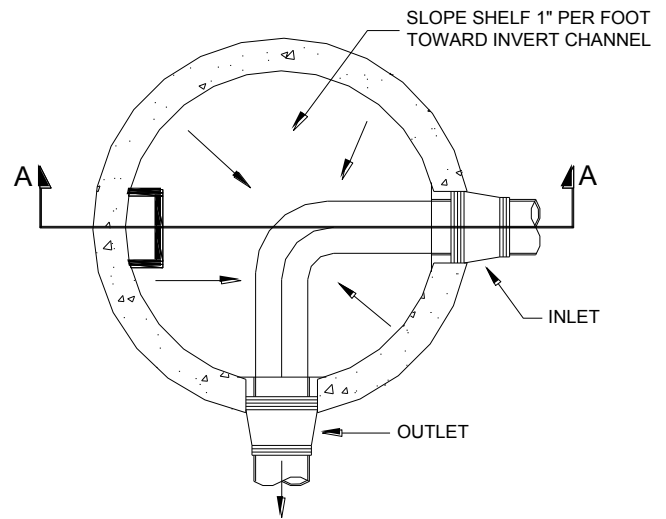


**CROSS SECTION A-A**



**LIFTING**



**PLAN VIEW**

\* STANDARD PRE-POURED INVERT CHANNELS HAVE A TYPICAL .1' FALL FROM INVERT IN TO INVERT OUT.

**SPECIFICATIONS**

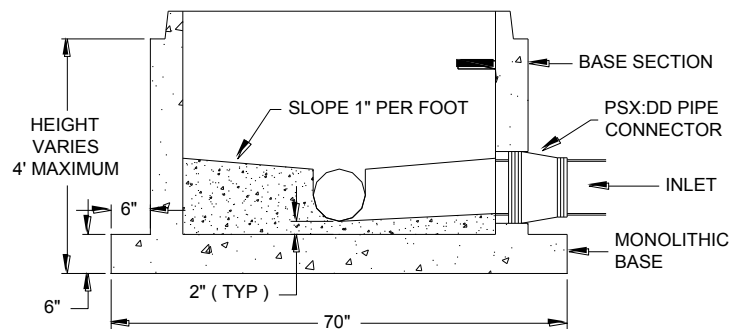
**Concrete:** M-4000 concrete with a design strength of 4000 PSI minimum at 28 days. Portland Type V (sulfate resistant) cement and 3/4 inch aggregate.

**Reinforcement:** Structural reinforcement conforming to ASTM C-478.

**Casting:** Cast iron frame and cover is manufactured from grey iron conforming to ASTM A-48, Class 35B. Meets H-20 wheel loading.

**Rubber Boots:** PSX:Direct Drive flexible manhole connectors meet and/or exceed all requirements of ASTM C-923. Series 304 stainless steel expansion sleeve and pipe take-up clamps.

**Miscellaneous:** 2 EA CONAC 5CA14 lift anchors.



**OPTIONAL EXTENDED MONOLITHIC BASE**

SCALE: NONE

DATE: 12-16-13

REV: DR'N: WDB

DWG. NO.

**BPMH48SS-EC**

48" dia. Sanitary Sewer Manhole  
Standard Monolithic Base with Eccentric Cone



5815 Interstate Avenue  
Billings, Montana 59101  
PHONE (406) 656-6098  
FAX LINE (406) 656-4942  
billingsprecast.com