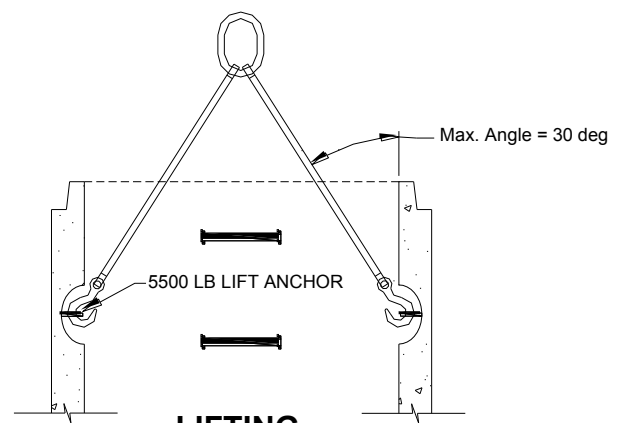
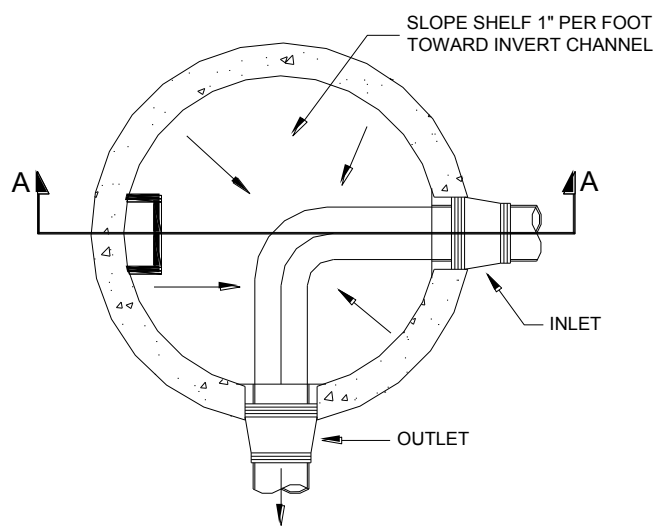


**CROSS SECTION A-A**



**LIFTING**

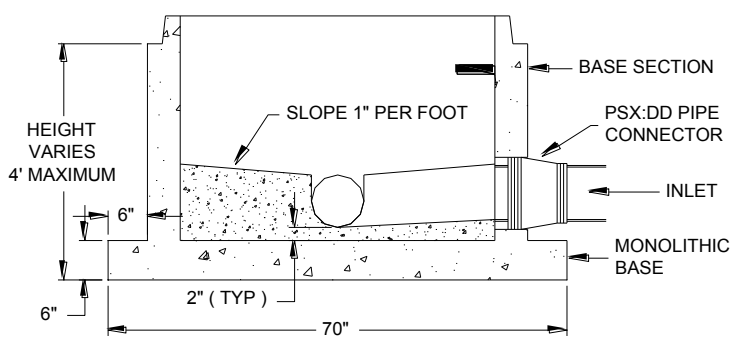


**PLAN VIEW**

\* STANDARD PRE-POURED INVERT CHANNELS HAVE A TYPICAL .1' FALL FROM INVERT IN TO INVERT OUT.

**SPECIFICATIONS**

- Concrete:** M-4000 concrete with a design strength of 4000 PSI minimum at 28 days. Portland Type V (sulfate resistant) cement and 3/4 inch aggregate.
- Reinforcement:** Structural reinforcement conforming to ASTM C-478.
- Casting:** Cast iron frame and cover is manufactured from grey iron conforming to ASTM A-48, Class 35B. Meets H-20 wheel loading.
- Rubber Boots:** PSX:Direct Drive flexible manhole connectors meet and/or exceed all requirements of ASTM C-923. Series 304 stainless steel expansion sleeve and pipe take-up clamps.
- Miscellaneous:** 2 EA CONAC 5CA14 lift anchors.



**OPTIONAL EXTENDED MONOLITHIC BASE**

SCALE: NONE	
DATE: 12-10-13	
REV:	DR'N: WDB

DWG. NO. **BPMH48SS-CC**  
 48" dia. Sanitary Sewer Manhole  
 Standard Monolithic Base with Concentric Cone



5815 Interstate Avenue  
 Billings, Montana 59101  
 PHONE (406) 656-6098  
 FAX LINE (406) 656-4942  
 billingsprecast.com