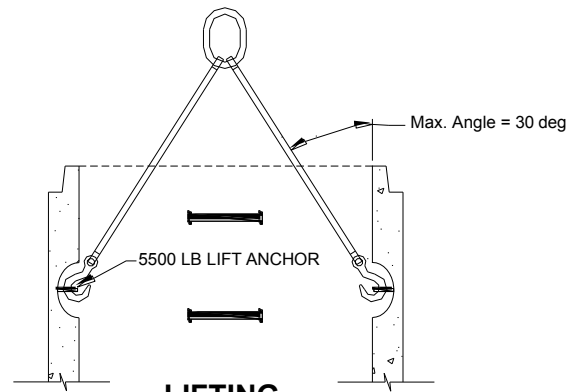
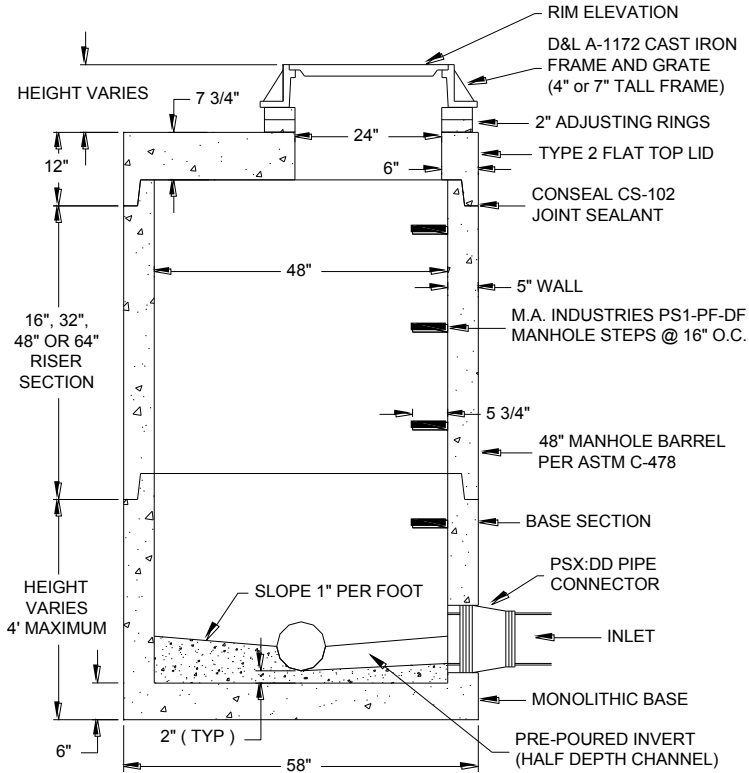


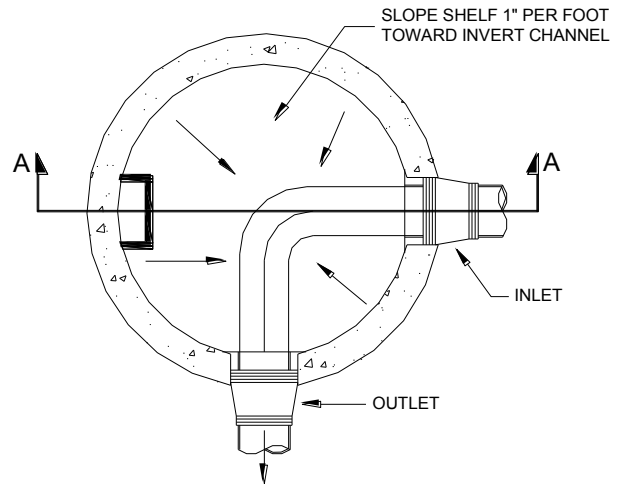
OPTIONAL LOW PROFILE LID



LIFTING



CROSS SECTION A-A



PLAN VIEW

* STANDARD PRE-POURED INVERT CHANNELS HAVE A TYPICAL .1' FALL FROM INVERT IN TO INVERT OUT.

SPECIFICATIONS

Concrete: M-4000 concrete with a design strength of 4000 PSI minimum at 28 days. Portland Type V (sulfate resistant) cement and 3/4 inch aggregate.

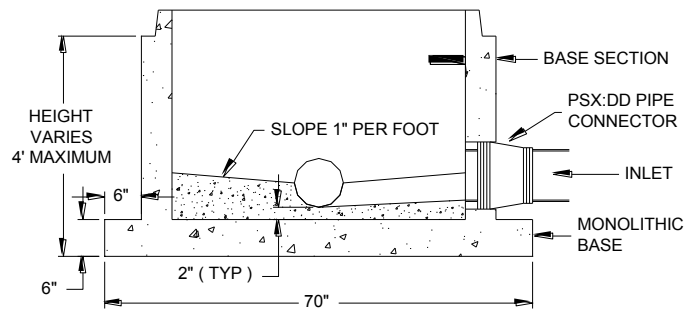
Reinforcement: Structural reinforcement conforming to ASTM C-478.

Casting: Cast iron frame and cover is manufactured from grey iron conforming to ASTM A-48, Class 35B. Meets H-20 wheel loading.

Rubber Boots: PSX:Direct Drive flexible manhole connectors meet and/or exceed all requirements of ASTM C-923. Series 304 stainless steel expansion sleeve and pipe take-up clamps.

Miscellaneous: 2 EA CONAC 5CA14 lift anchors.

NOTE: Blockouts are available in lieu of rubber boots. Precast 64" dia. x 6" thick base slab is available in lieu of invert and monolithic base.



OPTIONAL EXTENDED MONOLITHIC BASE

SCALE: NONE

DATE: 12-16-13

REV: DR'N: WDB

DWG. NO.

BPMH48SD-FTL

48" dia. Storm Drain Manhole
Standard Monolithic Base with Flat-Top Lid



5815 Interstate Avenue
Billings, Montana 59101
PHONE (406) 656-6098
FAX LINE (406) 656-4942
billingsprecast.com