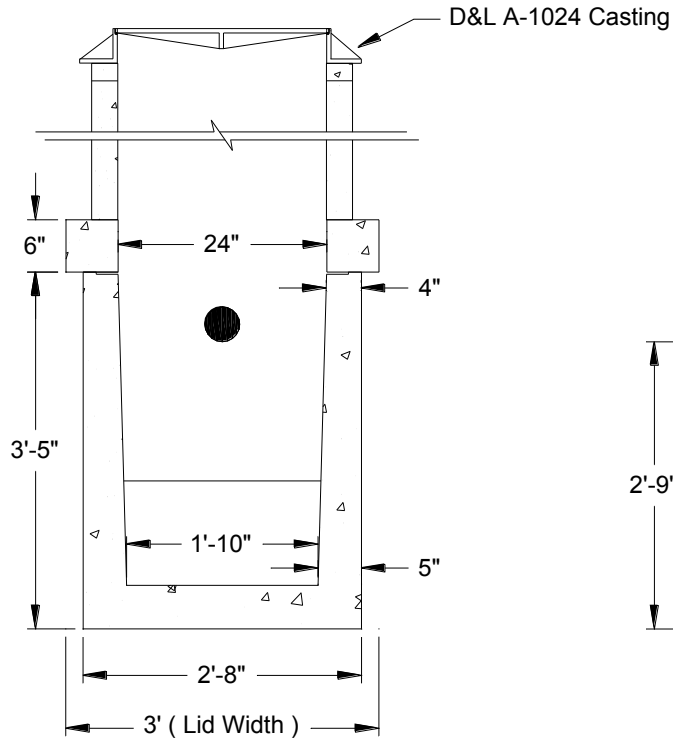
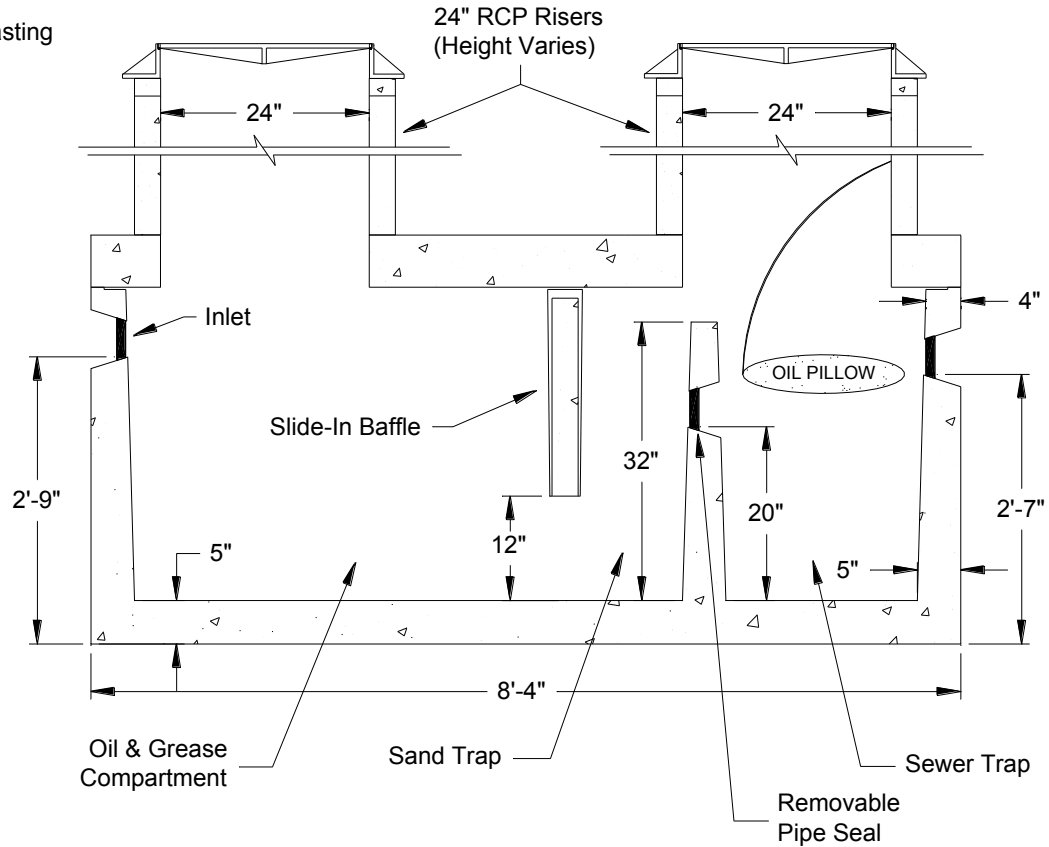


### End View



### Cross Section

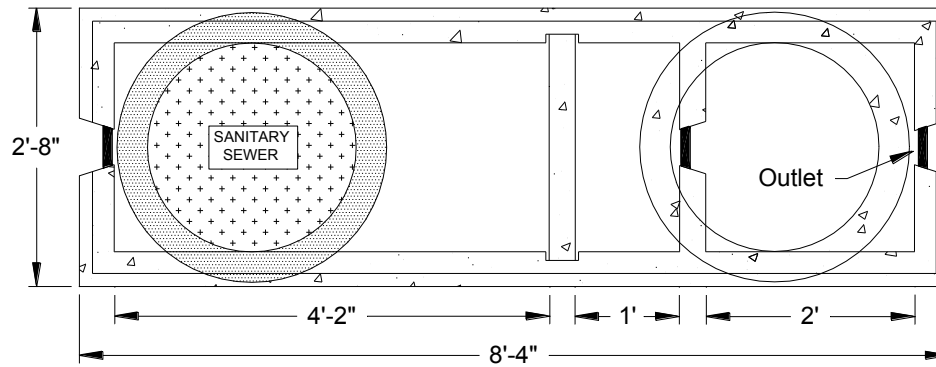


### SPECIFICATIONS

**Trap:** Portland Type V (sulfate resistant) cement, 4000 psi (min), Wire mesh reinforcement in tank, Grade 60 rebar reinforcement in concrete lid, Tuf-Tite TS-4Pro seals for inlet and outlet pipe penetrations, Removable seal in baffle wall (remove only if inlet pipe is used).

**Miscellaneous:** RCP risers and adjusting rings to bring to final grade, D&L A-1024 bolt-down gas-tight cast iron rings & covers "SEWER", Conseal CS-102 butyl mastic to seal down concrete lid and risers, 2 EA 24" x 16" x 6" oil sorbent pillows for sewer trap.

**NOTE:** Pipe seal in baffle wall shall be removed when an inlet pipe is plumbed into the separator (ie. influent piping from a trench drain or catch basin).



### Top View

**WEIGHTS:** Tank - 5275 lb.; Lid - 1425 lb.; Risers & Misc - 1100 lb. [ Total All Pieces = 7800 lb. ]

**BILLINGS PRECAST**  
 CONCRETE RESULTS FOR HARD WORKING PEOPLE  
 5815 Interstate Avenue, Billings, Montana 59101  
 PH (406) 656-6098 FAX (406) 656-4942  
 www.billingsprecast.com

DWG. NO. **BPSO250RCP**  
 250 Gallon Sand / Oil Separator  
 -Bury Style with Precast Lid and Risers

SCALE:	NONE
DATE:	7-25-11
REV:	A
DRN:	WDB