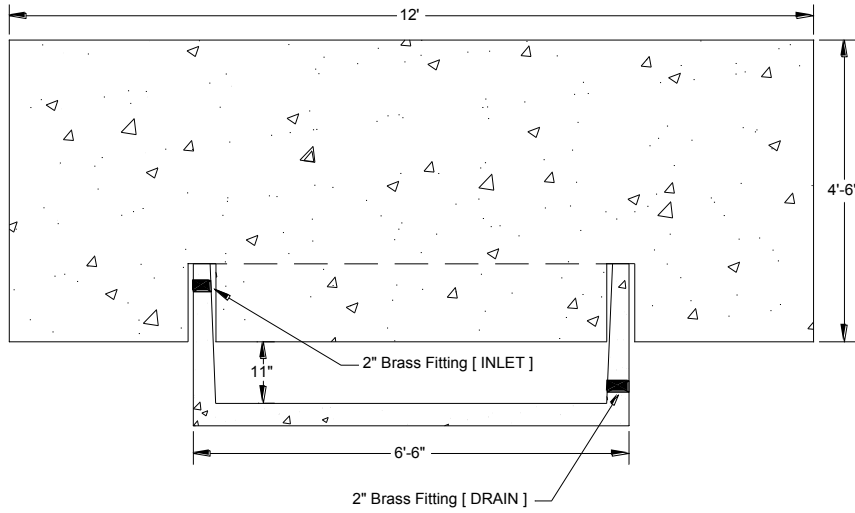
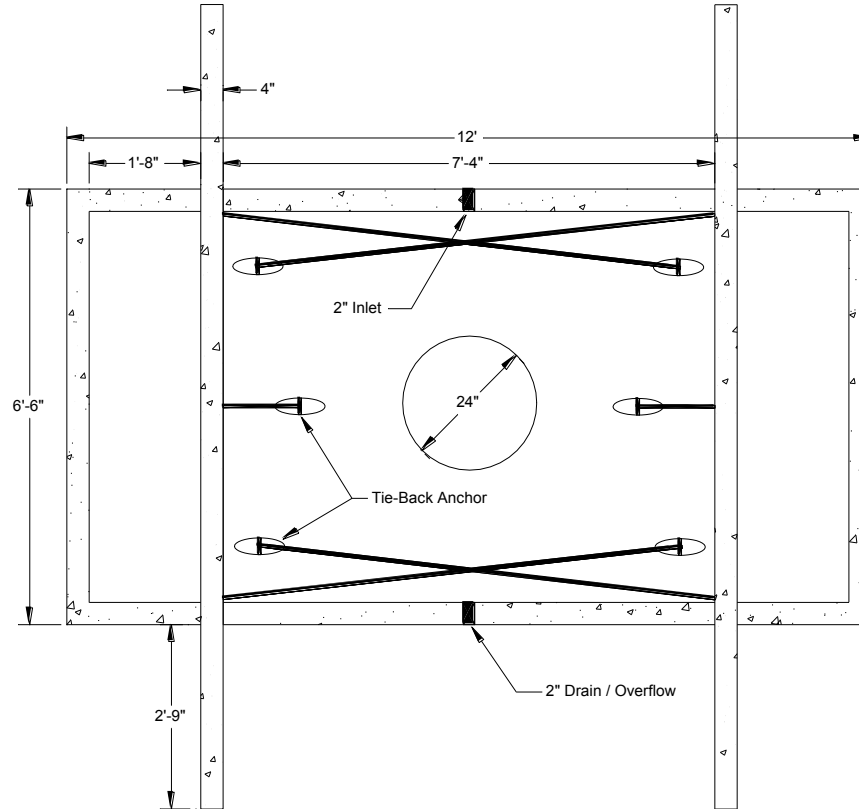
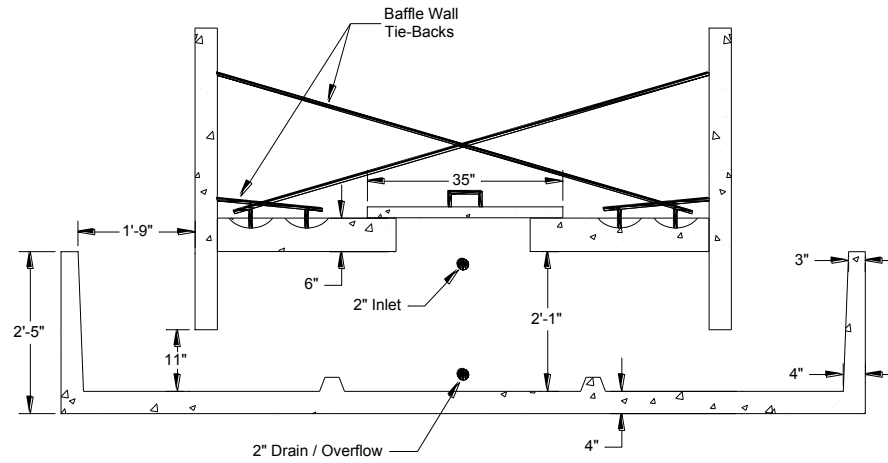


End View



Cross Section



Top View

SPECIFICATIONS

Tank: Portland Type V (sulfate resistant) cement, 4000 psi (min), Welded wire mesh and Grade 60 rebar reinforcement, 2 EA 2" brass FIPT fittings cast into tank wall for inlet / outlet pipe penetrations.

Miscellaneous: 2 EA 12' x 4'-6" x 4" thick precast retaining / baffle walls, 1 EA 7'-4" x 6'-6" x 6" thick precast lid with 24" dia. access hole, 1 EA 35" dia. x 2" thick access cover, 6 EA cable clamps for baffle wall tie-backs.

NOTE 1): Tank must be installed per Billings Precast's 'Tank Installation Guide' or warranty will be VOID.

WEIGHTS: Tank - 7250 lb.; Lid - 3385 lb.; Baffles - 2675 lb. / EA; [Total = 15,985 lb.]

BILLINGS PRECAST
 CONCRETE RESULTS FOR HARD WORKING PEOPLE

5815 Interstate Avenue, Billings, Montana 59101
 PH (406) 656-6098 FAX (406) 656-4942
 www.billingsprecast.com

DWG. NO. **BPSK1100BDW**

1100 Gallon Stock Tank – Bury Style
 Double Baffle Wall with 2 Watering Ends

| | | |
|-------------|--------------|----------|
| SCALE: NONE | DATE: 8-1-11 | DRN: WDB |
| REV: | | |